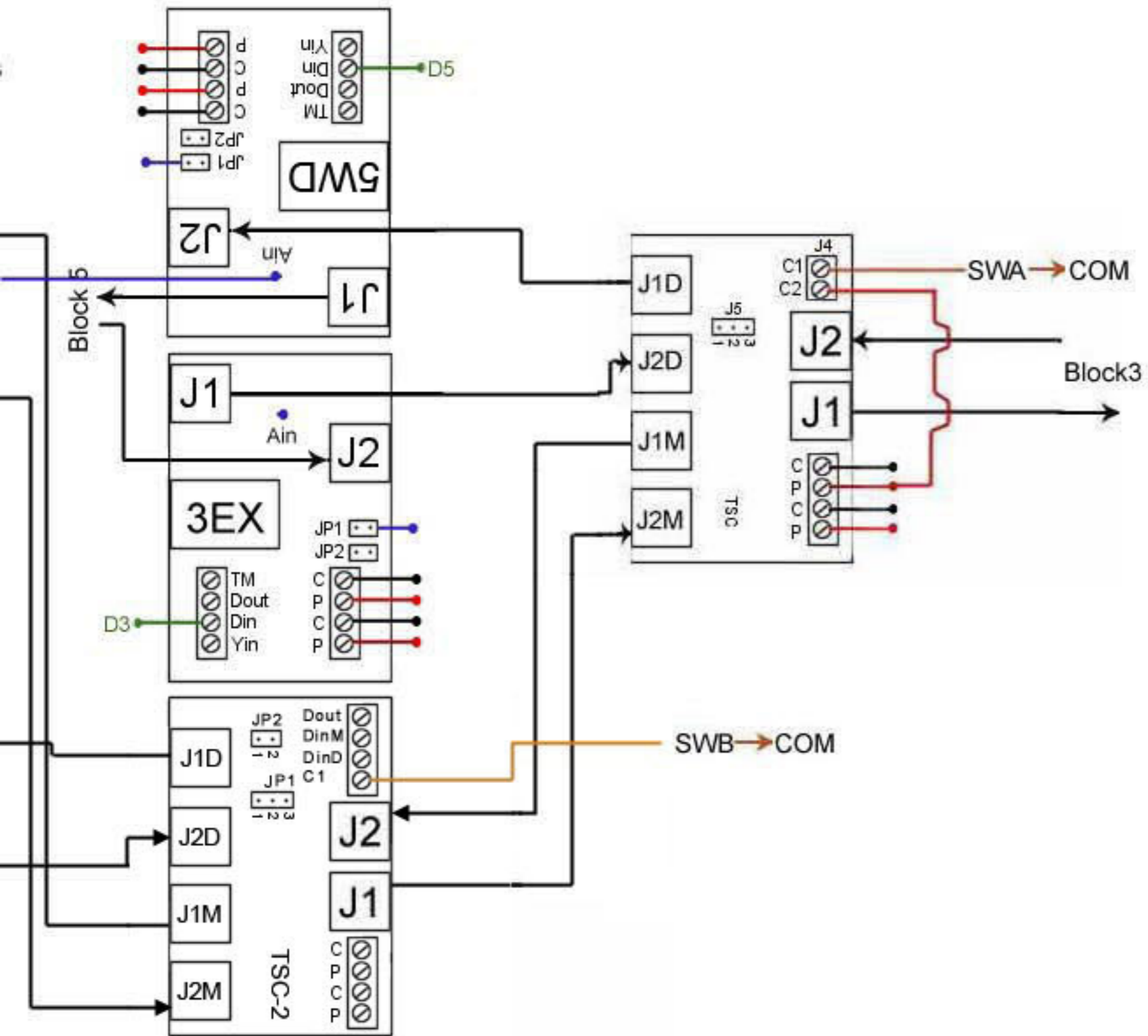


## B5 Crossover 2 o'clock to 8 o'clock w/ Following Junction

Copyright (c) 2002-2005,  
Terry Christopher, Custom Signals. All Rights Reserved  
Track and Circuit layouts illustrated by Alex Mazure



## B5 Crossover 2 o'clock to 8 o'clock w/ Following Junction

Copyright (c) 2002-2005,  
Terry Christopher, Custom Signals. All Rights Reserved  
Track and Circuit layouts illustrated by Alex Mazure