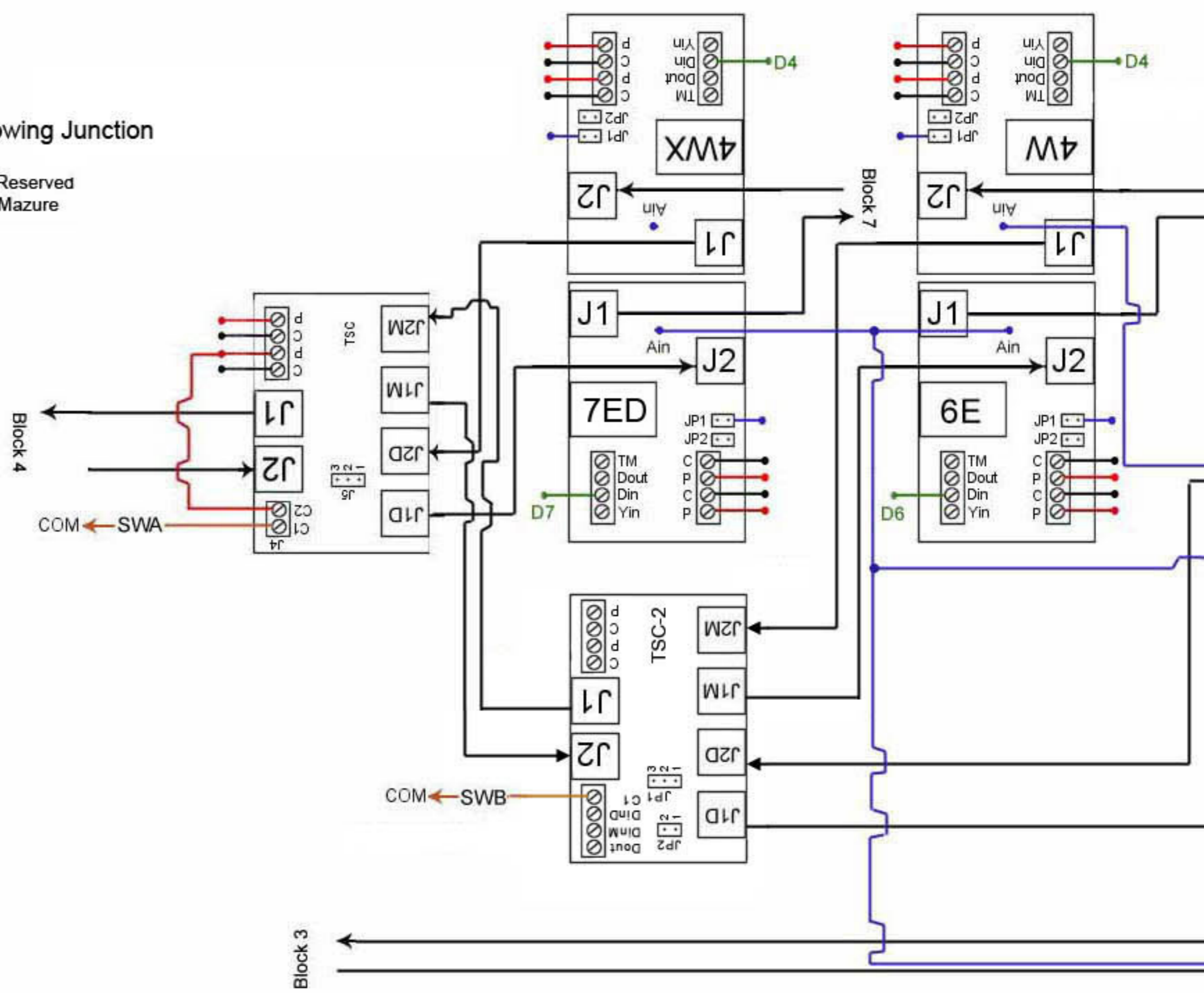


B6 Crossover 10o'clock to 4o'clock w/ Following Junction

Copyright (c) 2002-2005,
Terry Christopher, Custom Signals. All Rights Reserved
Track and Circuit layouts illustrated by Alex Mazure



B6 Crossover 10o'clock to 4o'clock w/ Following Junction

Copyright (c) 2002-2005,
Terry Christopher, Custom Signals. All Rights Reserved
Track and Circuit layouts illustrated by Alex Mazure

