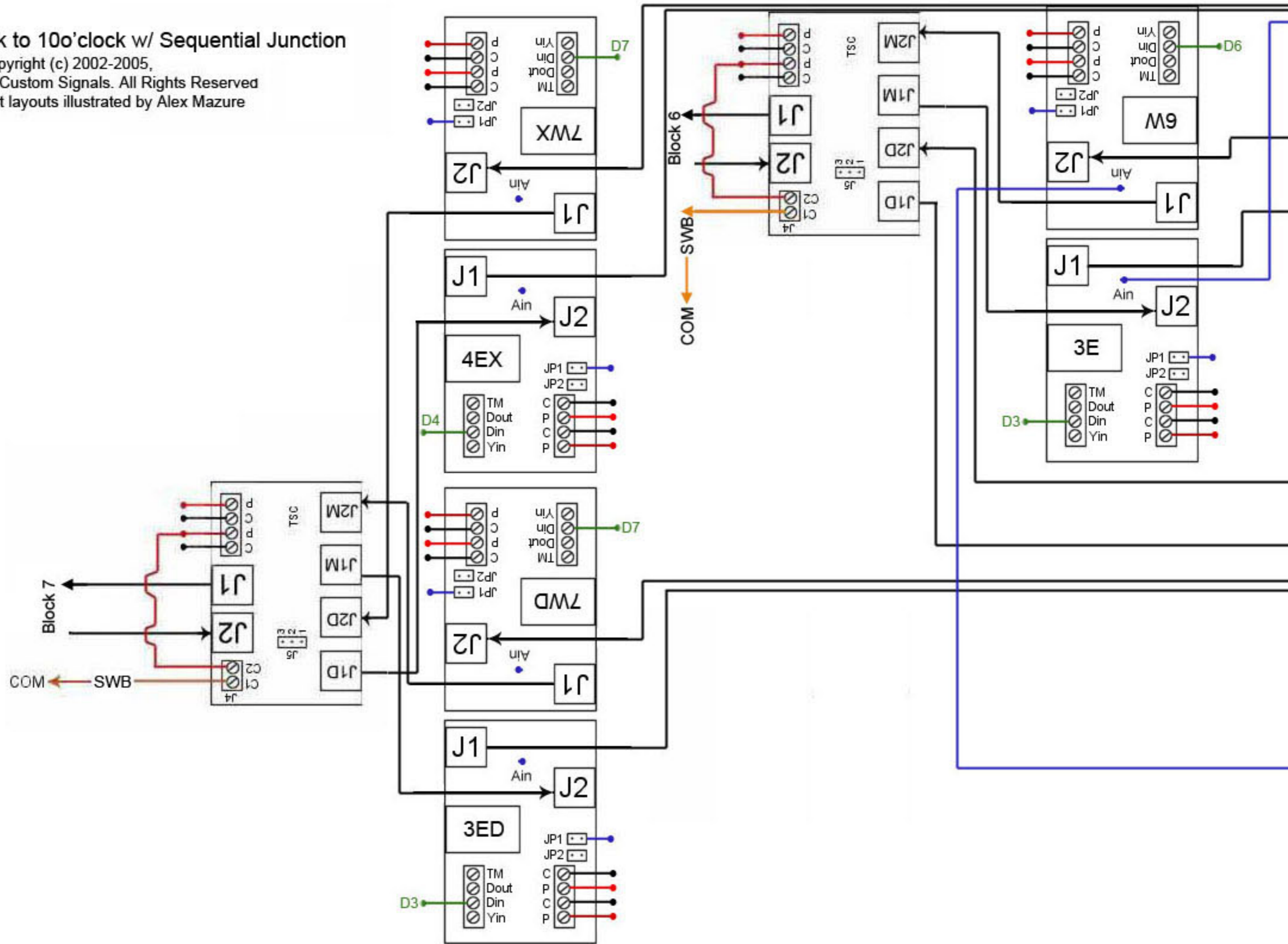
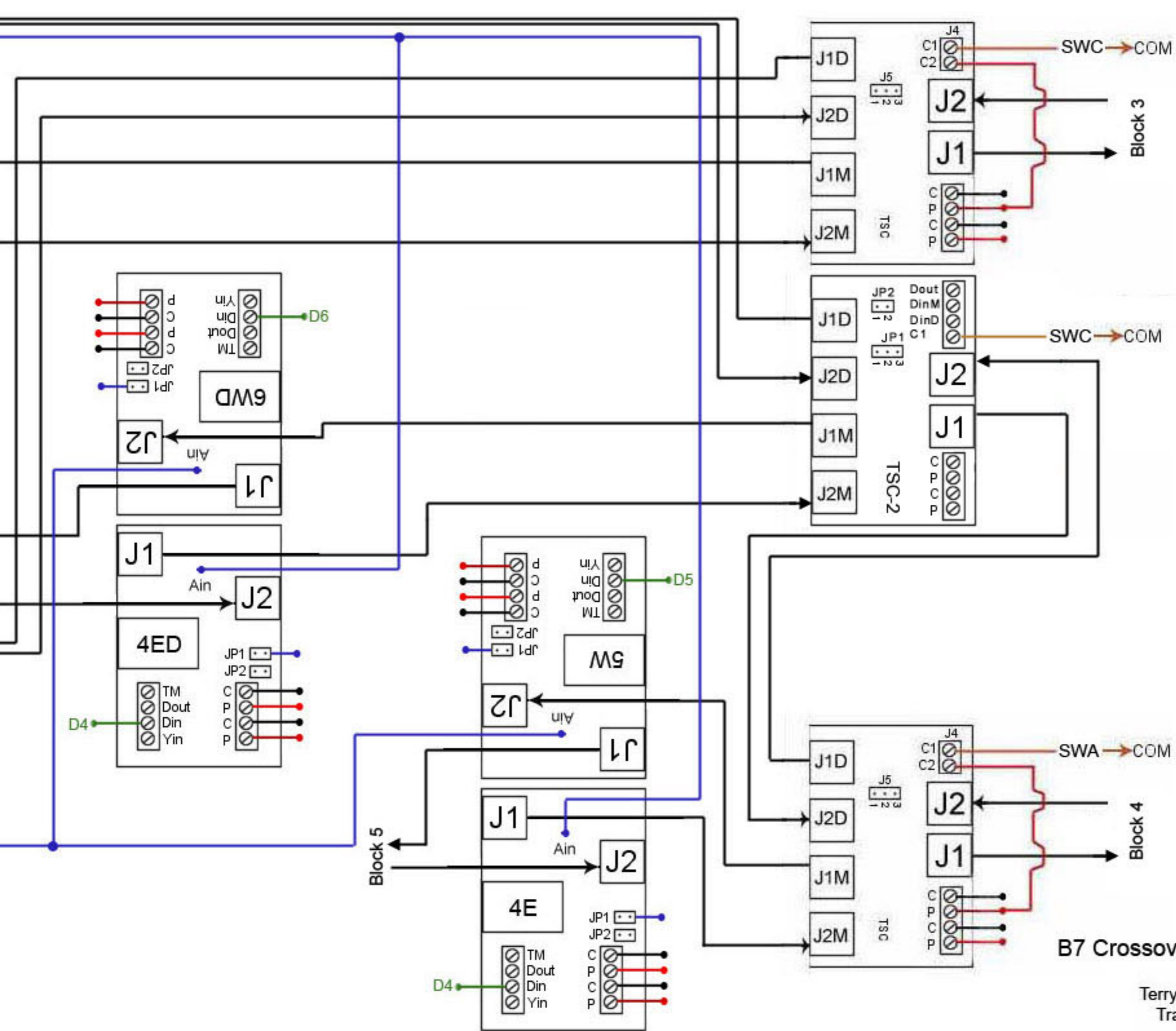


# B7 Crossover 4o'clock to 10o'clock w/ Sequential Junction

Copyright (c) 2002-2005,  
Terry Christopher, Custom Signals. All Rights Reserved  
Track and Circuit layouts illustrated by Alex Mazure





**B7 Crossover 40'clock to 10o'clock w/ Sequential Junction**  
 Copyright (c) 2002-2005,  
 Terry Christopher, Custom Signals. All Rights Reserved  
 Track and Circuit layouts illustrated by Alex Mazure