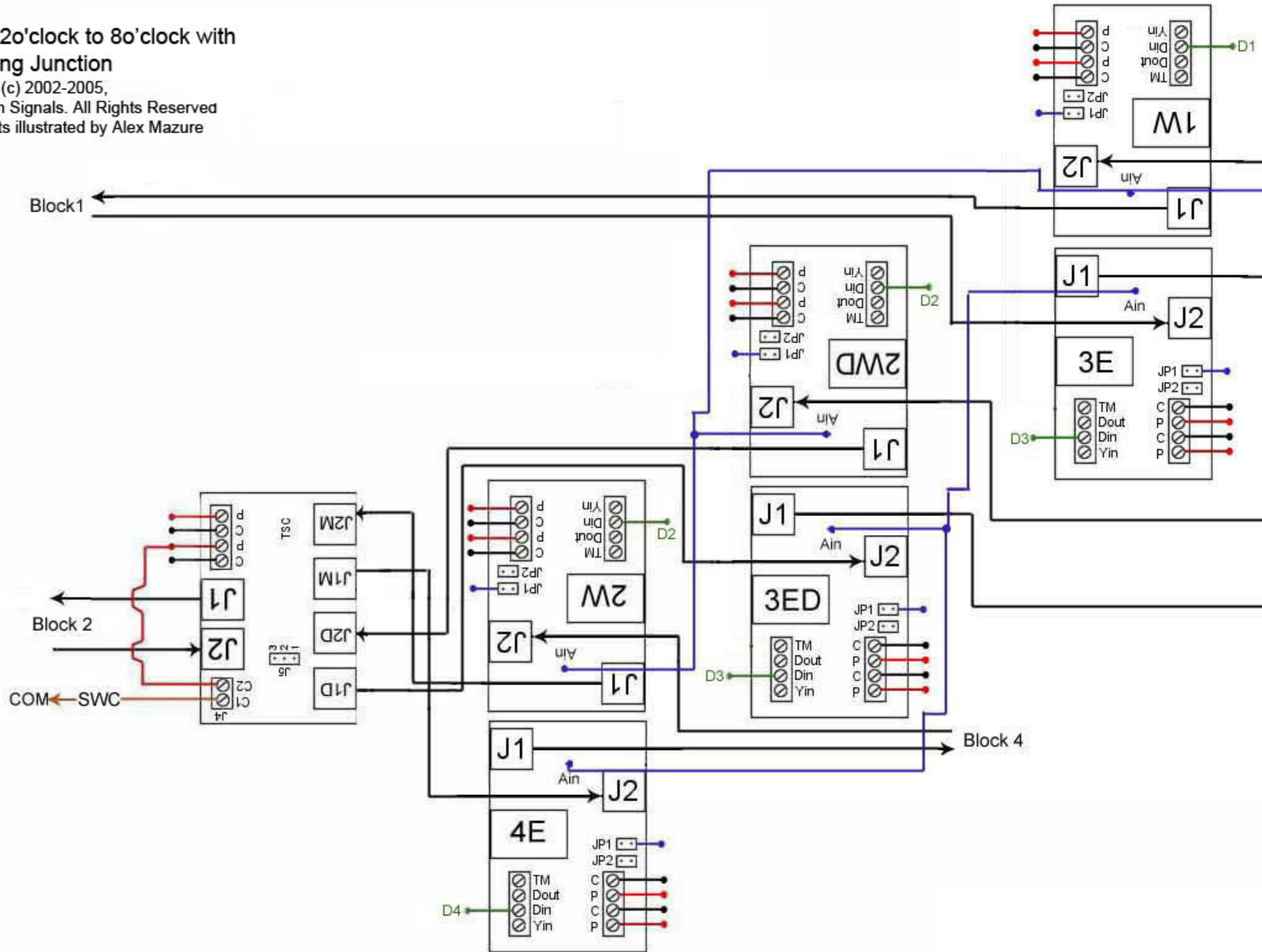
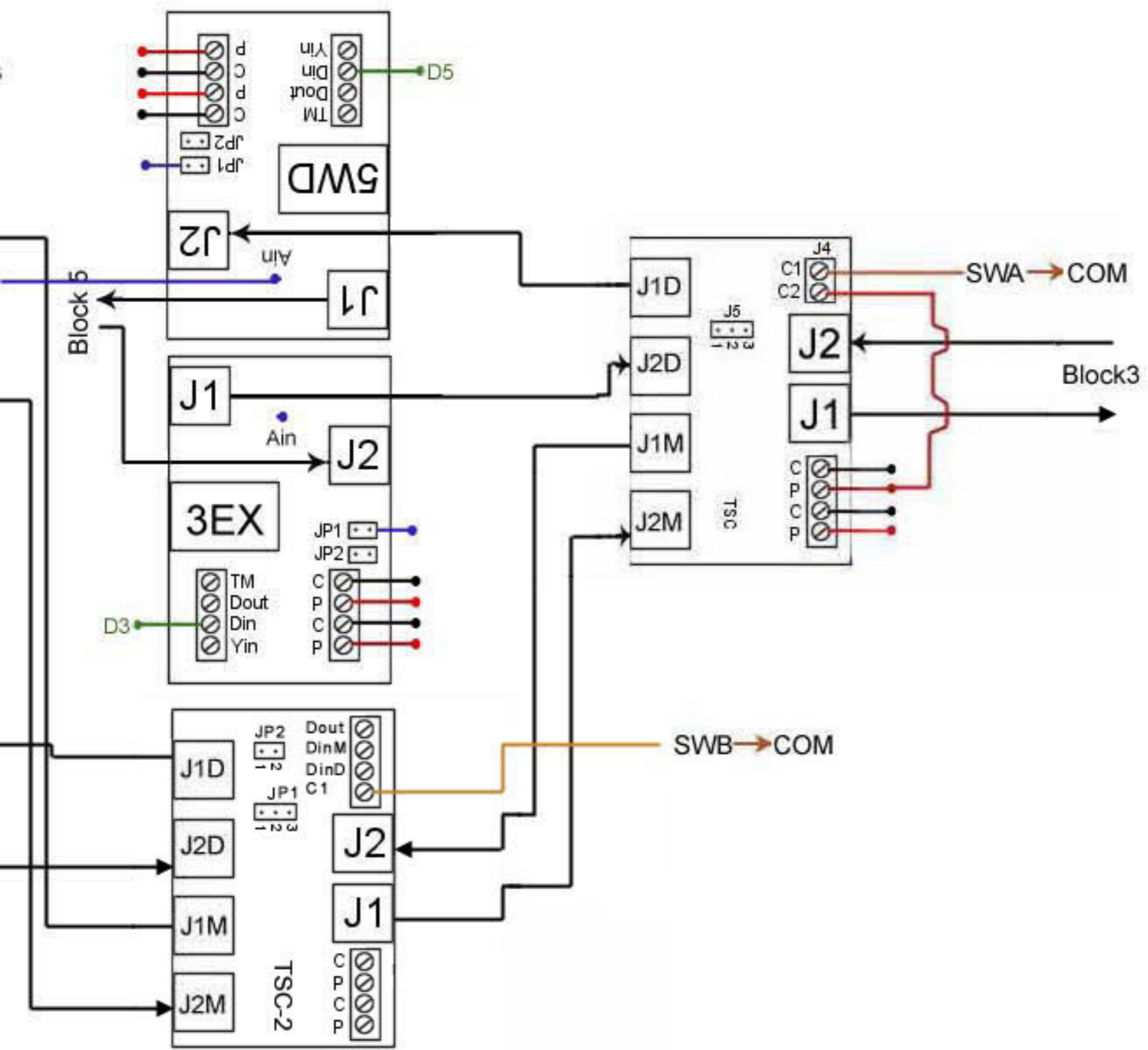


B9 Crossover From 20'clock to 80'clock with Preceding Junction

Copyright (c) 2002-2005,
Terry Christopher, Custom Signals. All Rights Reserved
Track and Circuit layouts illustrated by Alex Mazure





B9 Crossover From 20'clock to 80'clock with Preceding Junction

Copyright (c) 2002-2005,
 Terry Christopher, Custom Signals. All Rights Reserved
 Track and Circuit layouts illustrated by Alex Mazure