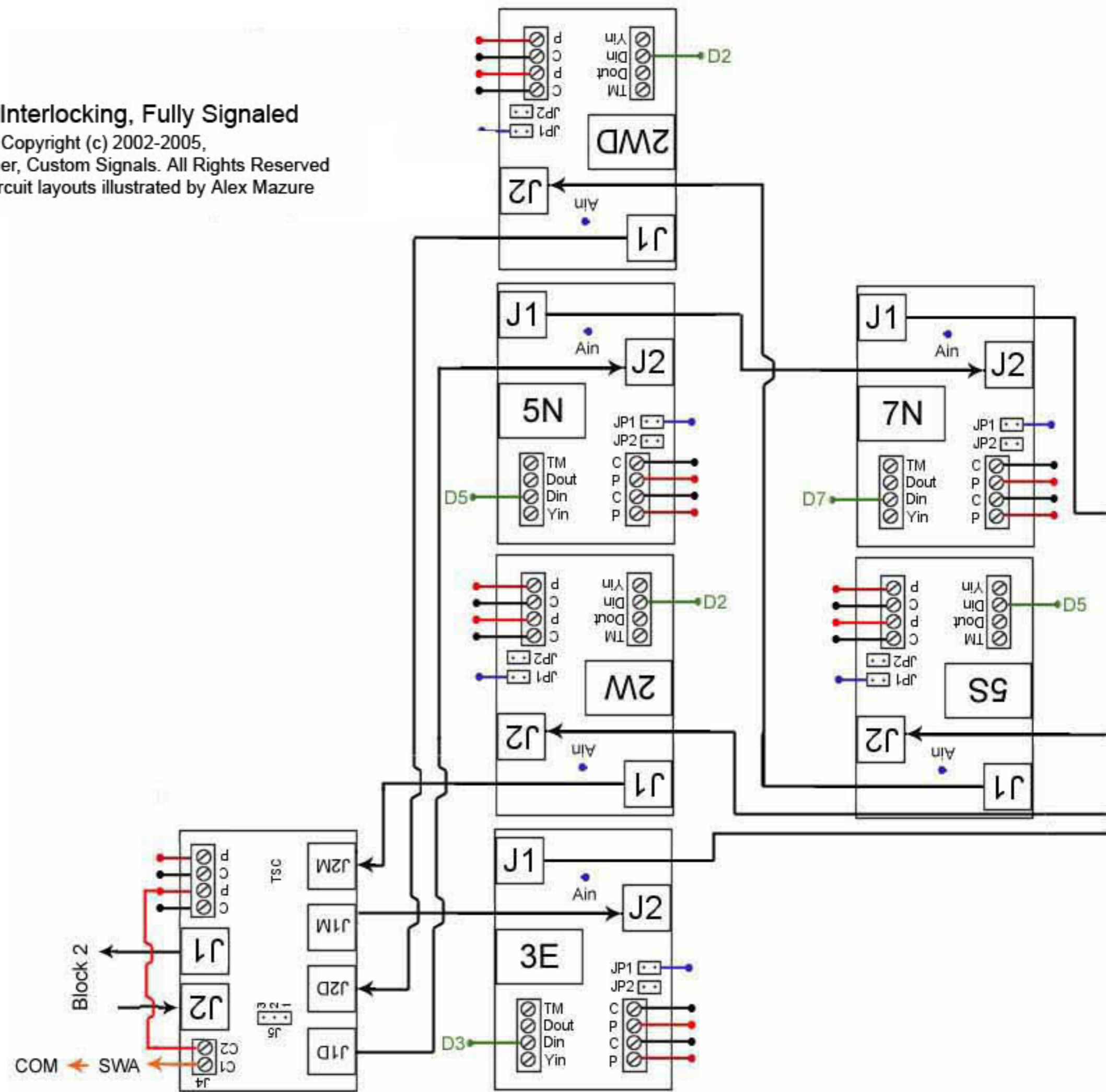


A9 "Y" Interlocking, Fully Signaled
 Copyright (c) 2002-2005,
 Terry Christopher, Custom Signals. All Rights Reserved
 Track and Circuit layouts illustrated by Alex Mazure



A9 "Y" Interlocking, Fully Signaled
 Copyright (c) 2002-2005,
 Terry Christopher, Custom Signals. All Rights Reserved
 Track and Circuit layouts illustrated by Alex Mazure

