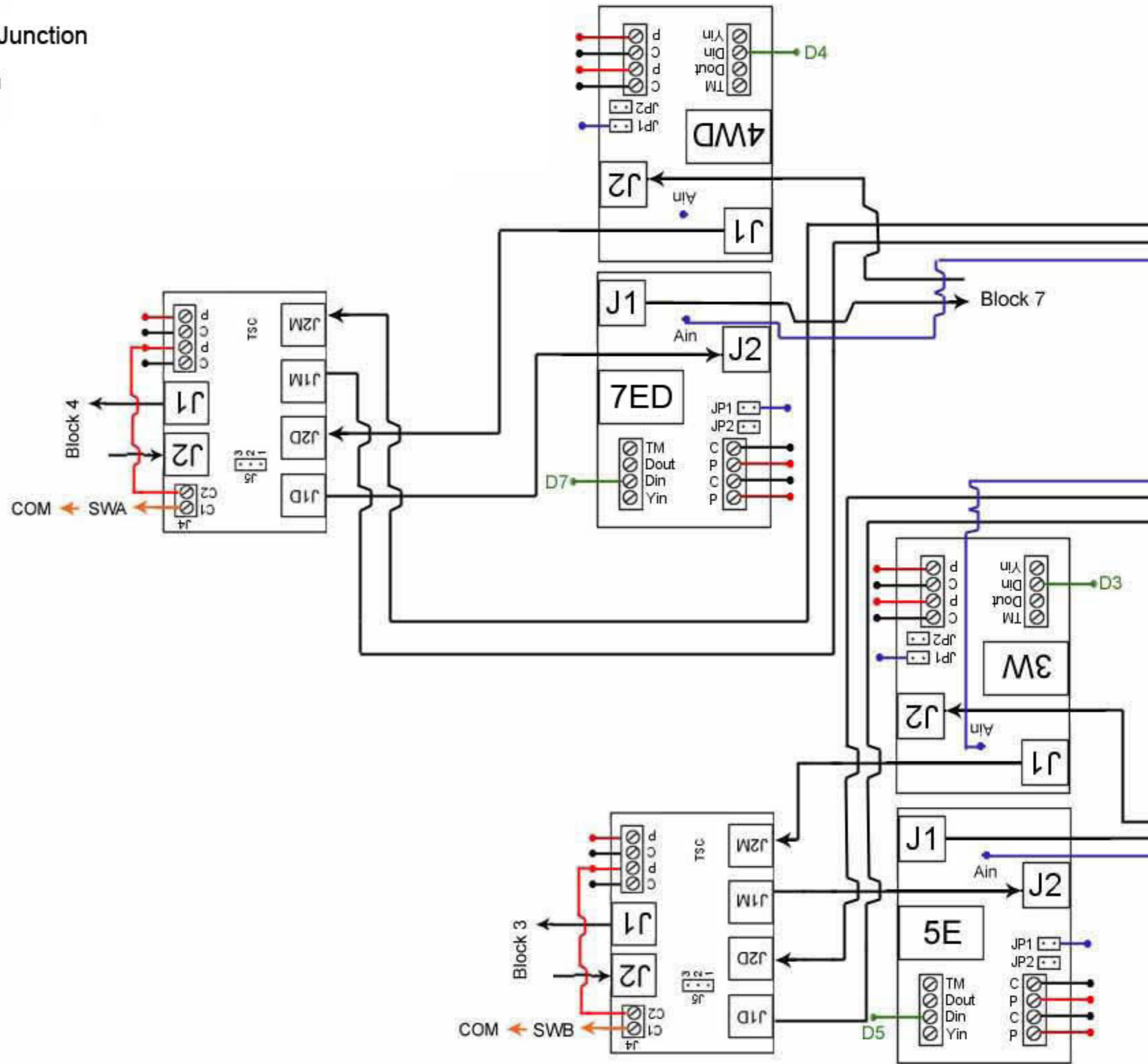


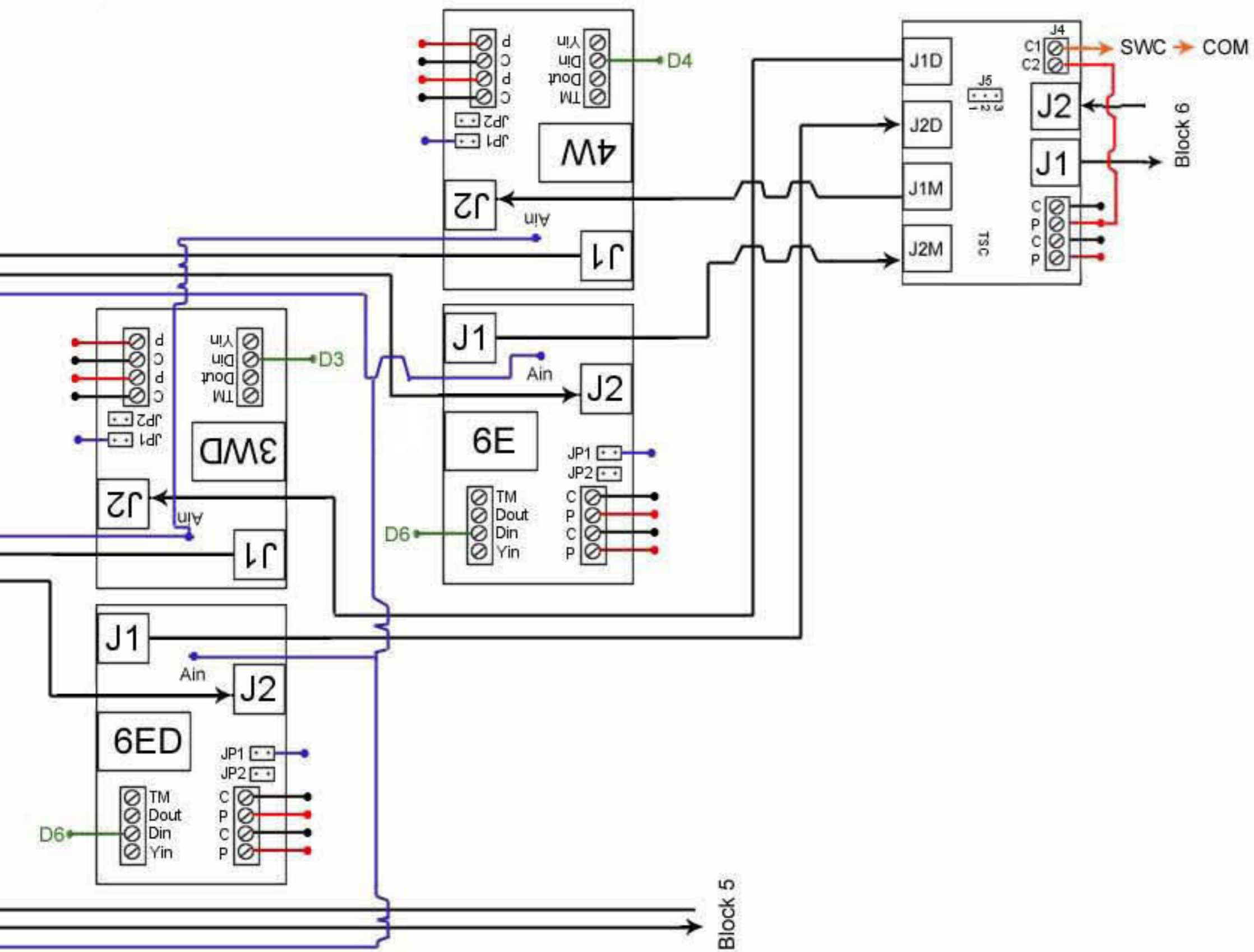
B12 Crossover 80'clock to 20'clock w/ Parallel Junction

Copyright (c) 2002-2005,

Terry Christopher, Custom Signals. All Rights Reserved

Track and Circuit layouts illustrated by Alex Mazure





B12 Crossover 80'clock to 20'clock w/ Parallel Junction

Copyright (c) 2002-2005,
 Terry Christopher, Custom Signals. All Rights Reserved
 Track and Circuit layouts illustrated by Alex Mazure