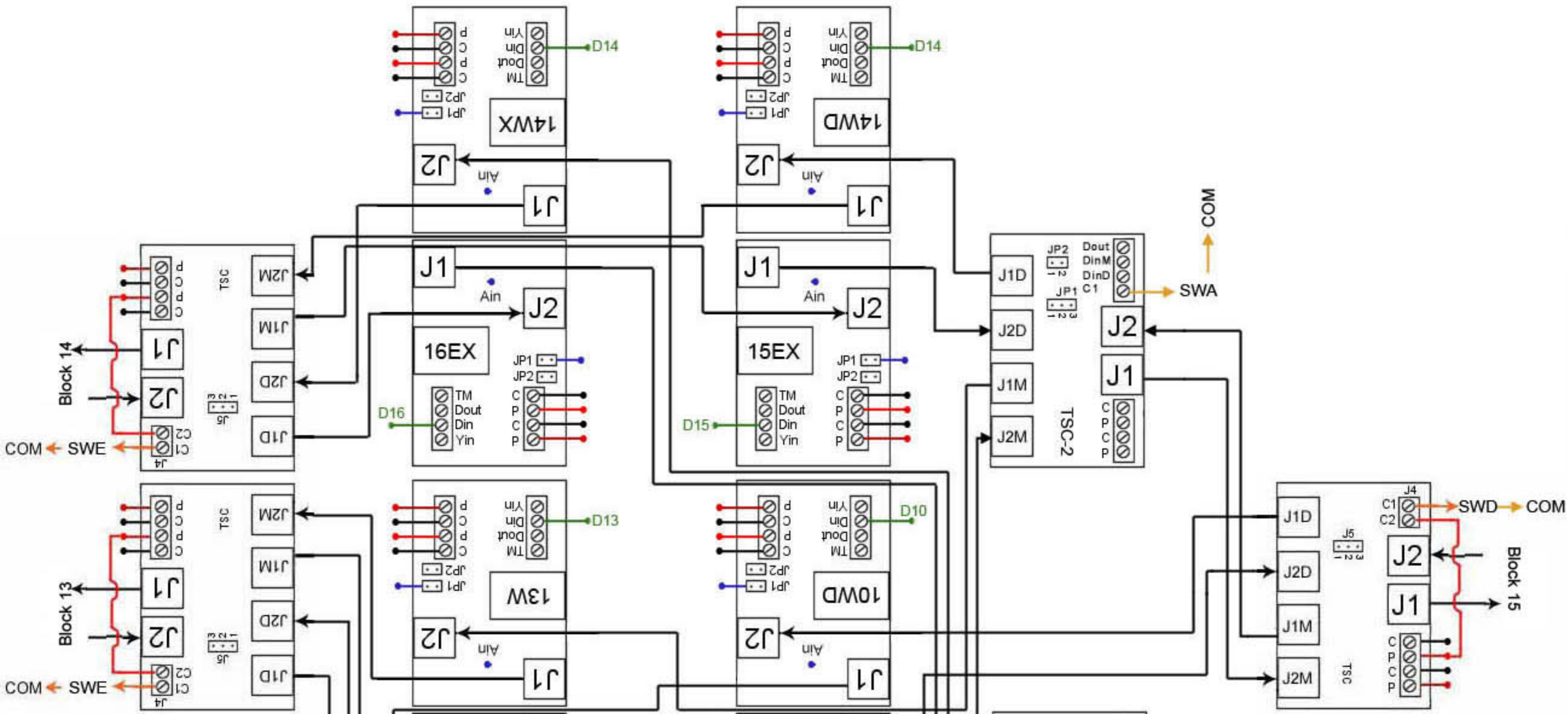


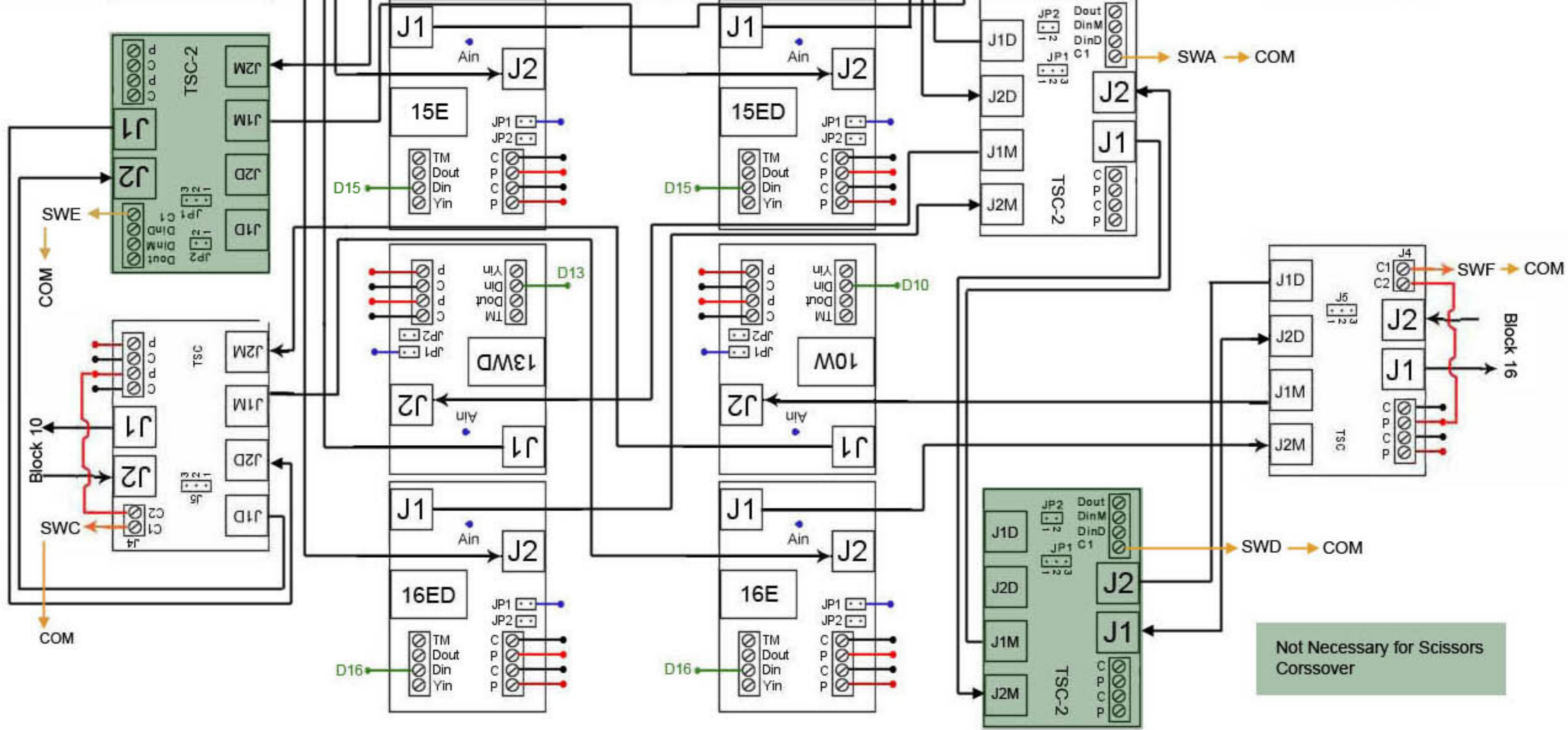
C2 DC wFollowing Diverting Route (Right)

Copyright (c) 2002-2005,

Terry Christopher, Custom Signals. All Rights Reserved

Track and Circuit layouts illustrated by Alex Mazure





C2 DC wFollowing Diverting Route (Right)

Copyright (c) 2002-2005,
 Terry Christopher, Custom Signals. All Rights Reserved
 Track and Circuit layouts illustrated by Alex Mazure