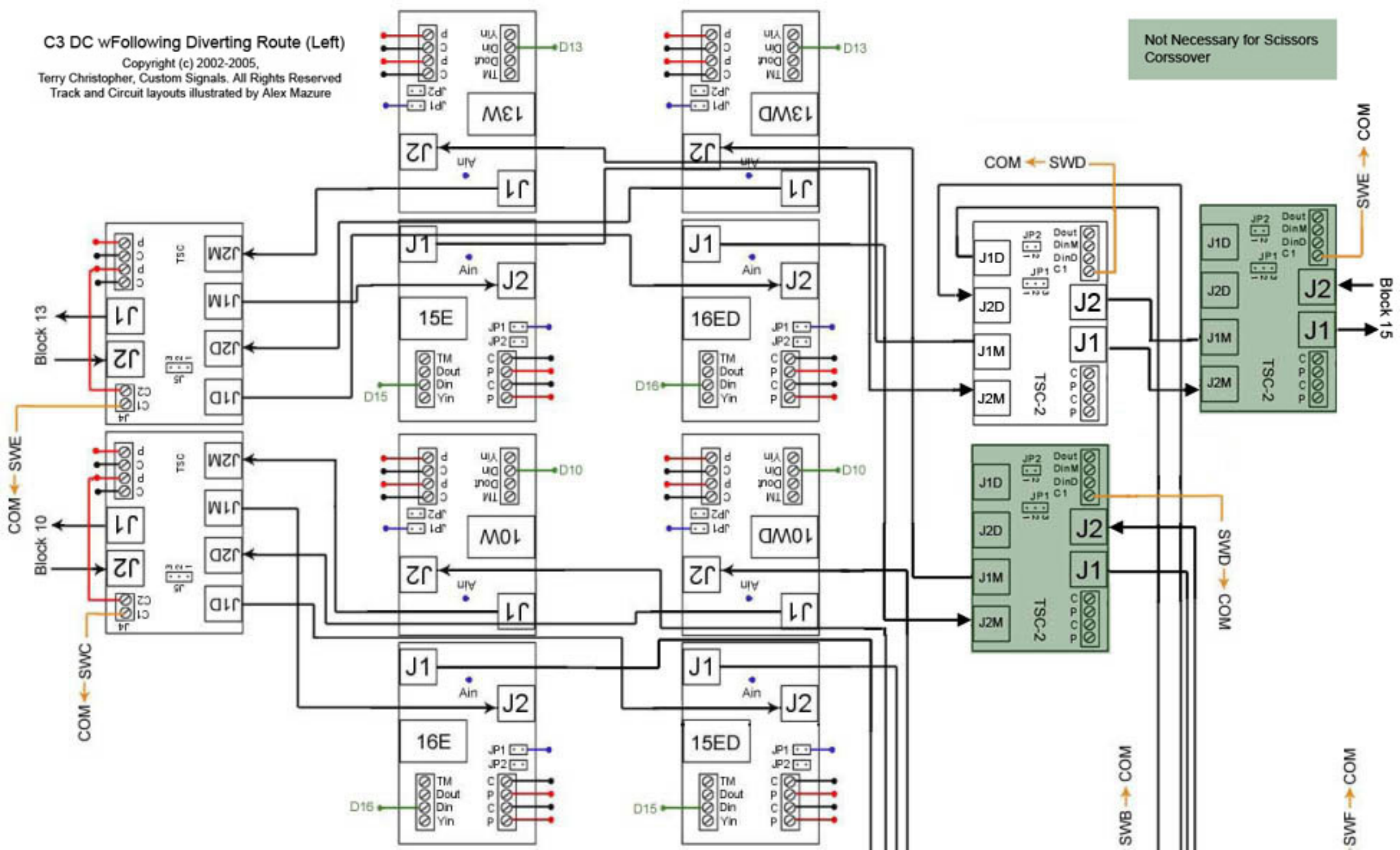
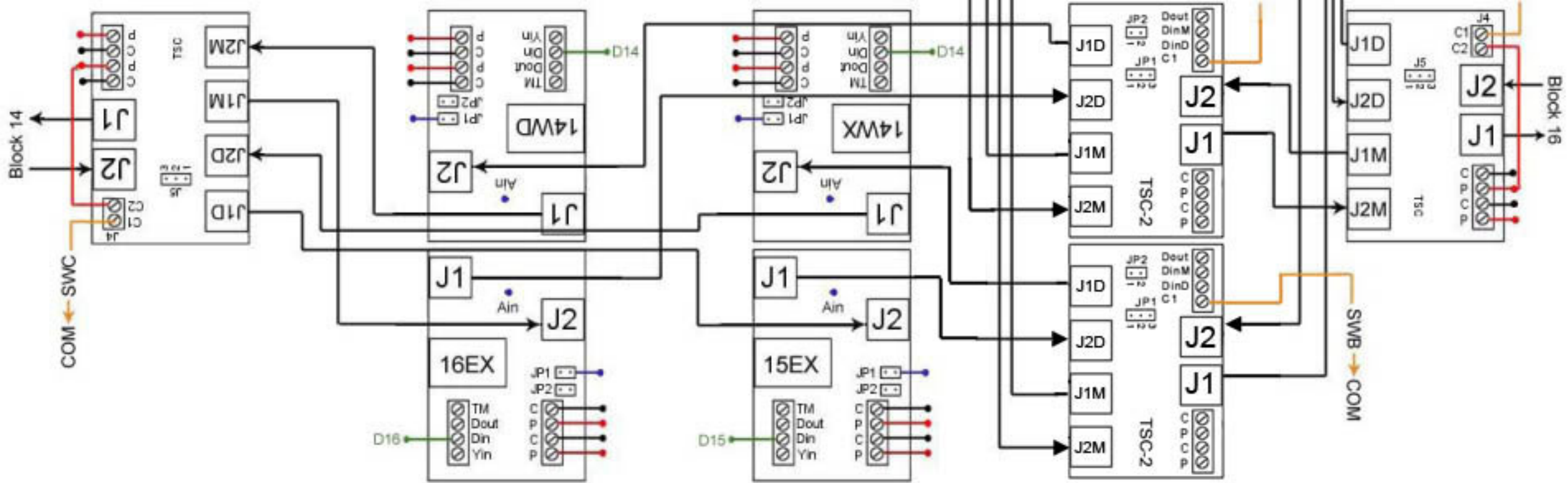


C3 DC wFollowing Diverting Route (Left)

Copyright (c) 2002-2005,
Terry Christopher, Custom Signals. All Rights Reserved
Track and Circuit layouts illustrated by Alex Mazure

Not Necessary for Scissors
Corssover





C3 DC wFollowing Diverting Route (Left)

Copyright (c) 2002-2005,
 Terry Christopher, Custom Signals. All Rights Reserved
 Track and Circuit layouts illustrated by Alex Mazure