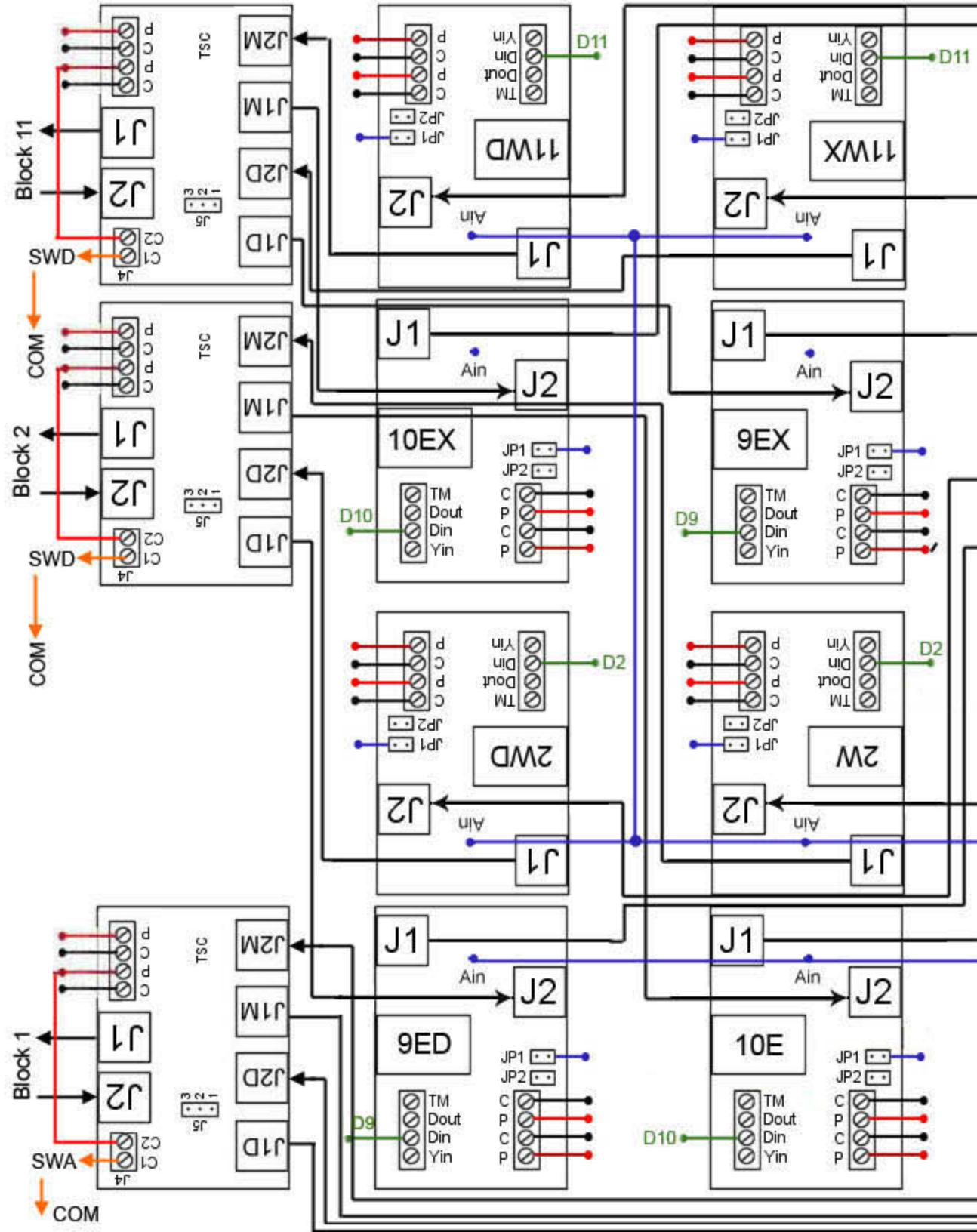
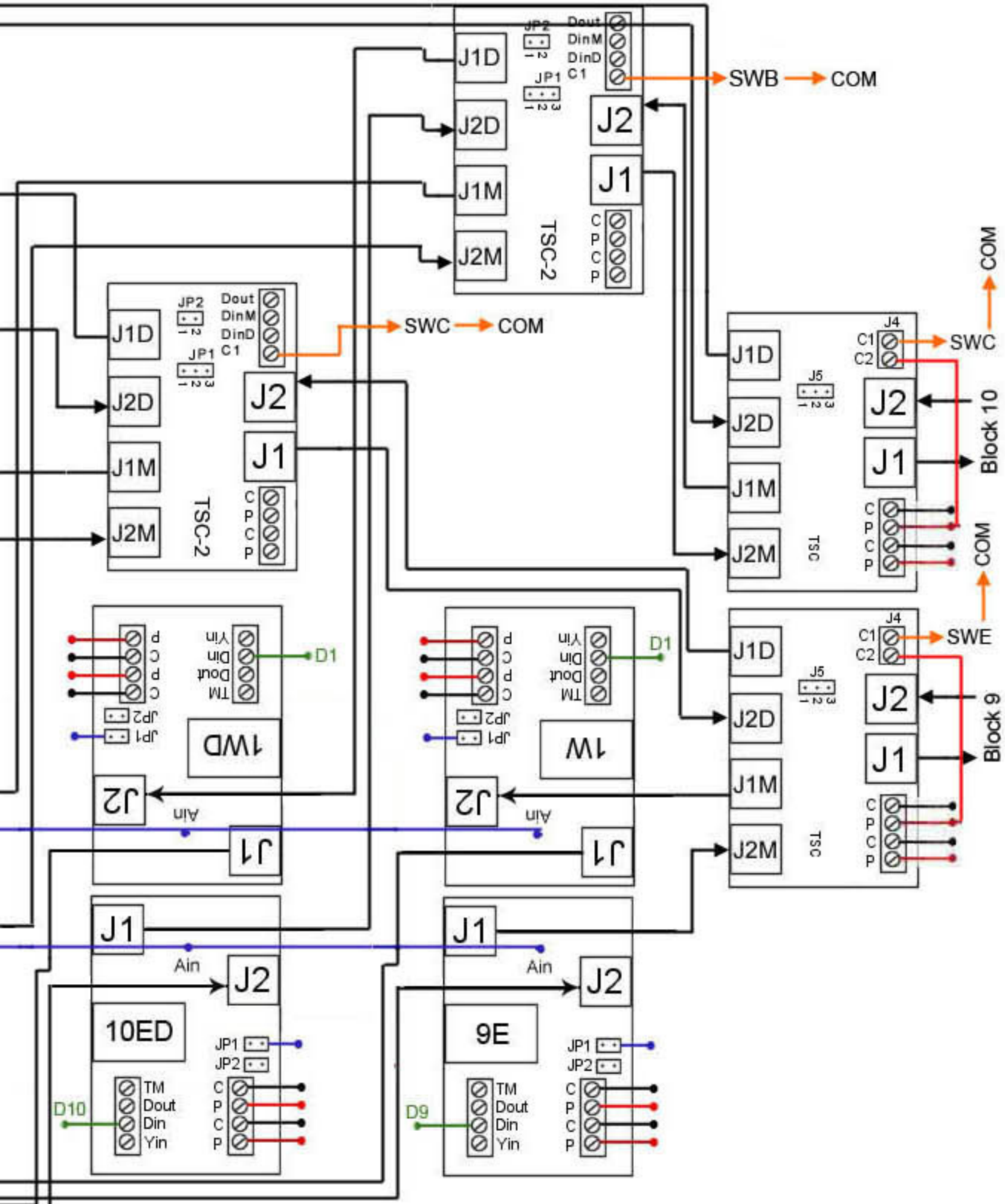


C4 DC w/Intermediate Diverting Route (Right)

Copyright (c) 2002-2005,
Terry Christopher, Custom Signals. All Rights Reserved
Track and Circuit layouts illustrated by Alex Mazure





C4 DC w/Intermediate Diverting Route (Right)

Copyright (c) 2002-2005,
 Terry Christopher, Custom Signals. All Rights Reserved
 Track and Circuit layouts illustrated by Alex Mazure