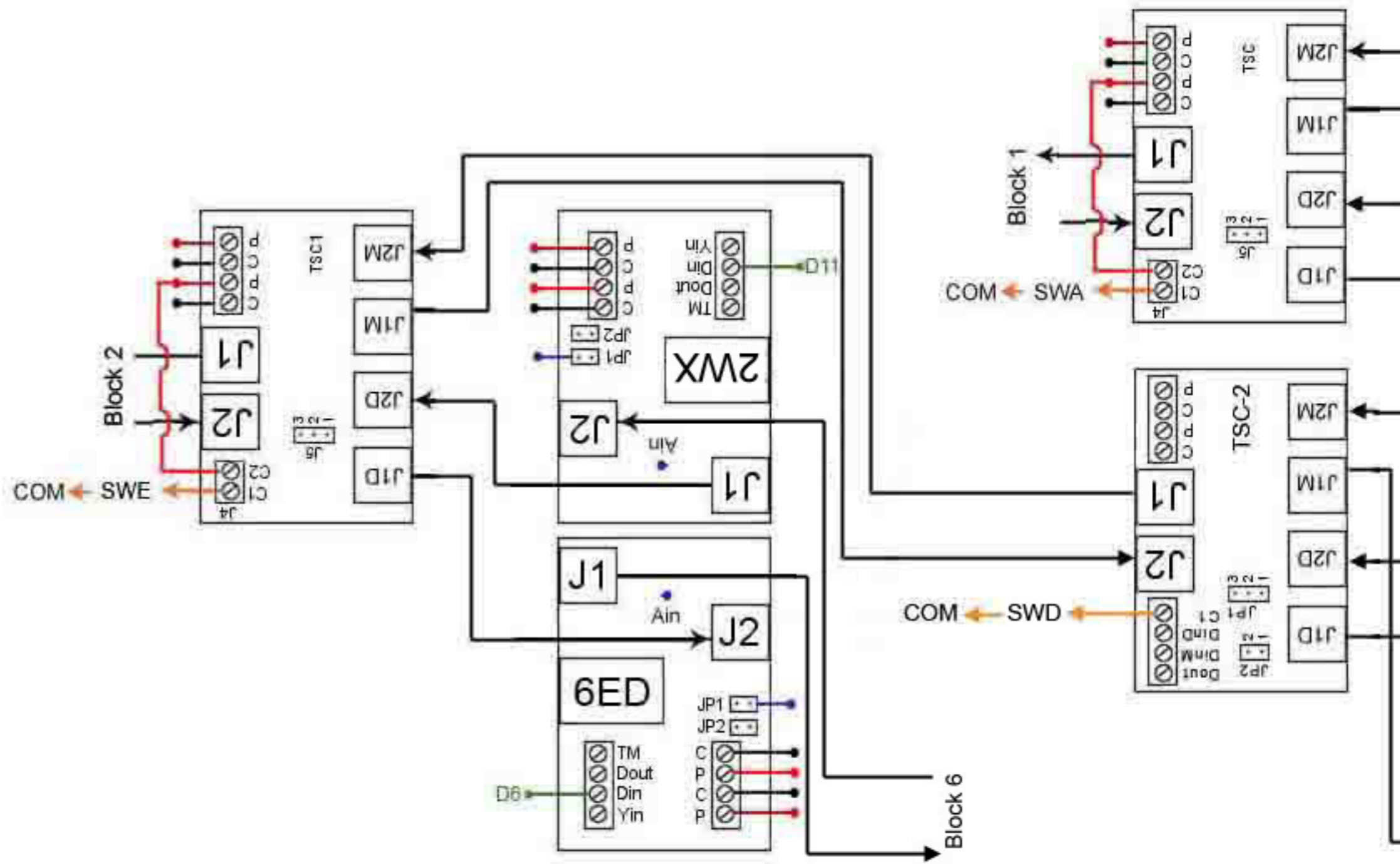


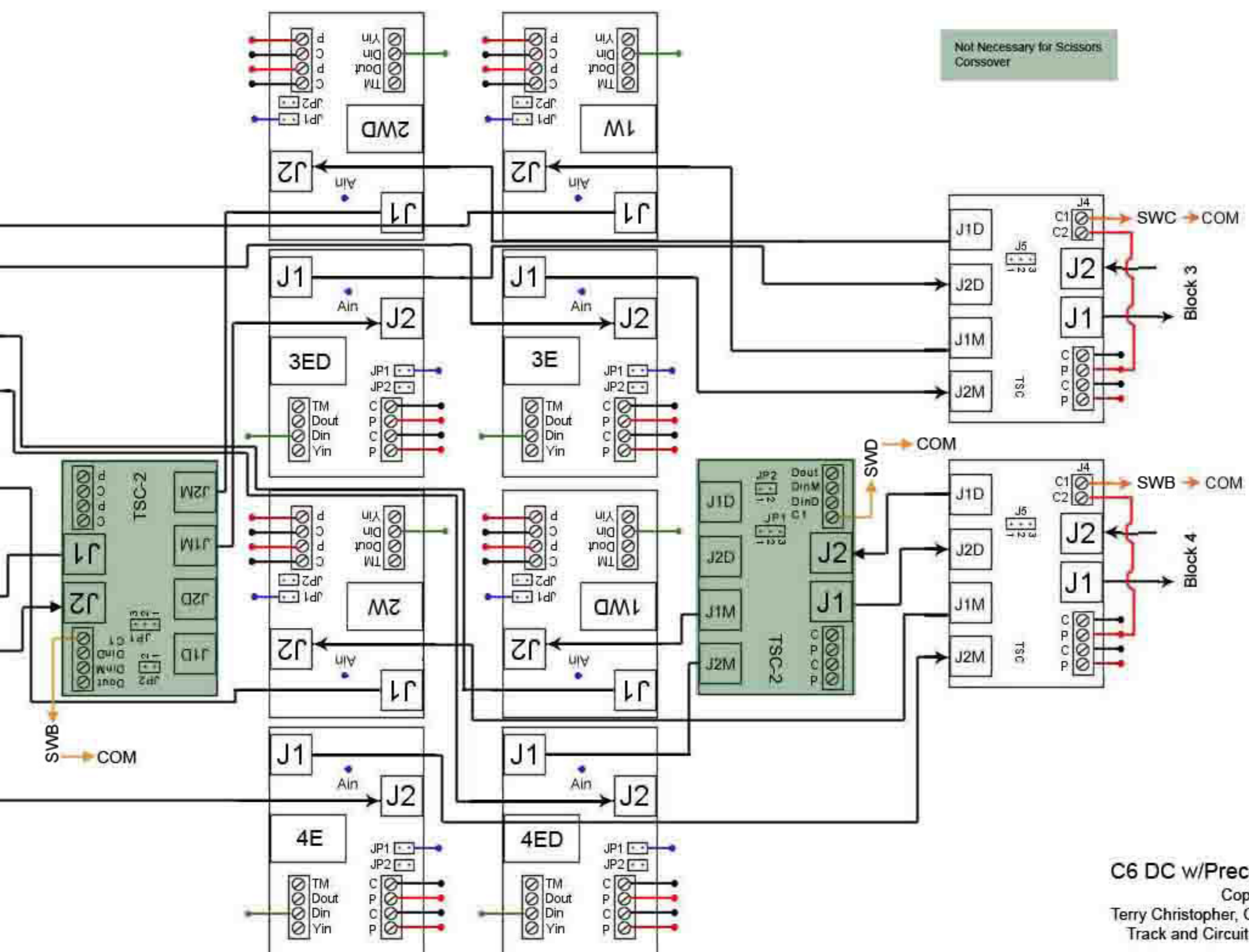
# C6 DC w/Preceding Diverting Route (Right)

Copyright (c) 2002-2005,

Terry Christopher, Custom Signals. All Rights Reserved

Track and Circuit layouts illustrated by Alex Mazure





C6 DC w/Preceding Diverting Route (Right)  
 Copyright (c) 2002-2005,  
 Terry Christopher, Custom Signals. All Rights Reserved  
 Track and Circuit layouts illustrated by Alex Mazure