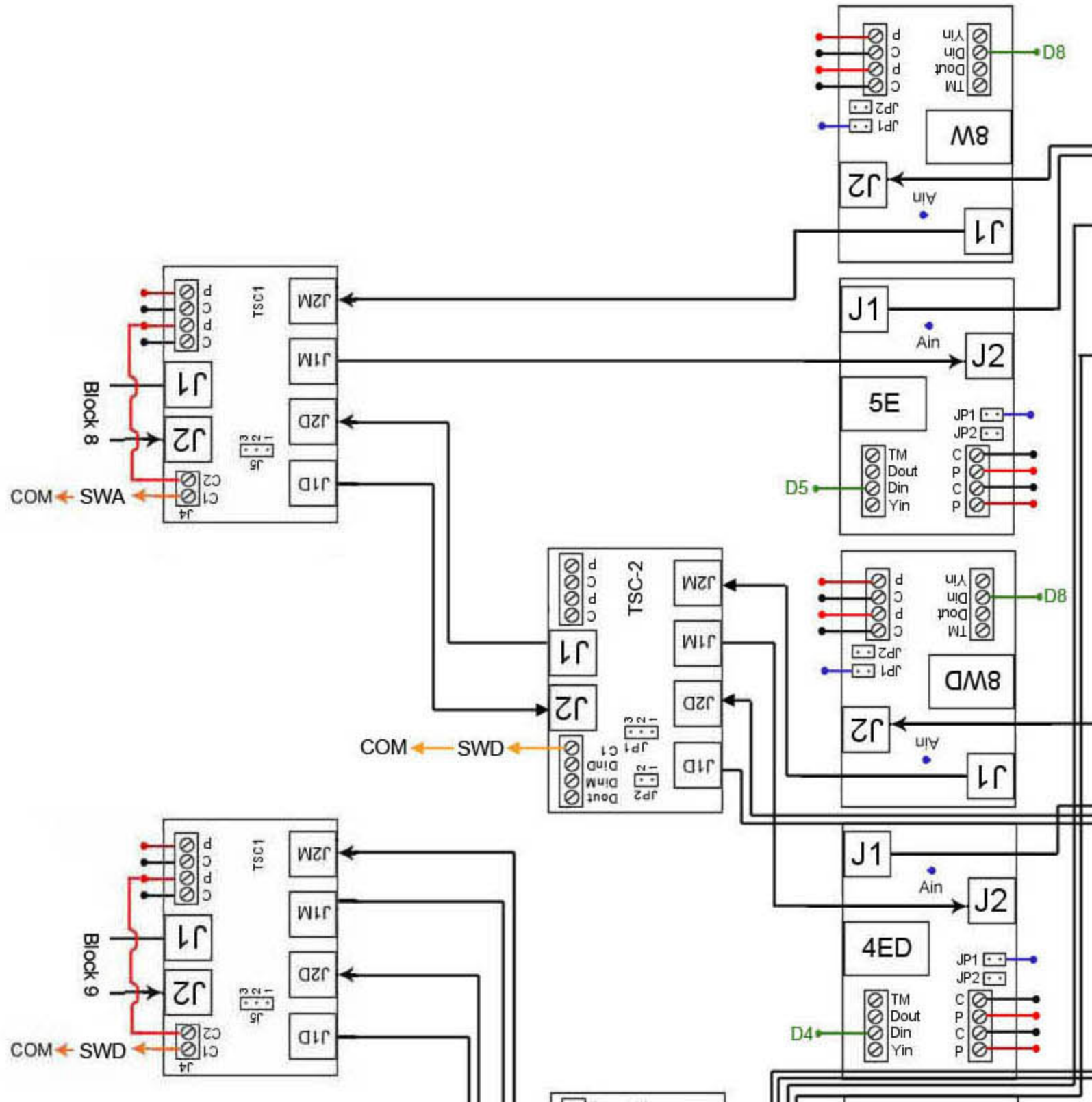
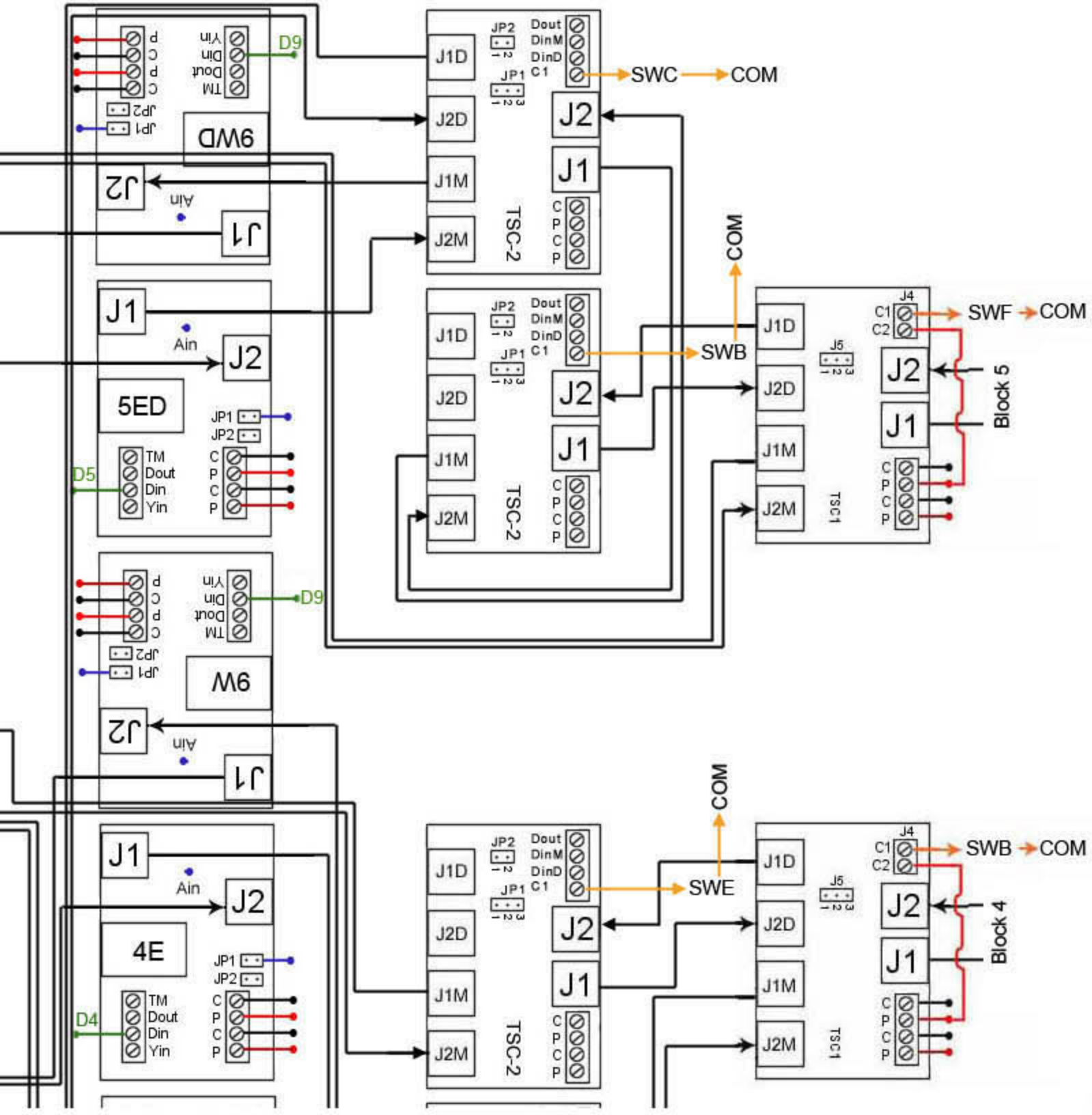


# C9 DC w/1 Intermediate Diverting Route and 1 Following Diverting Route

Copyright (c) 2002-2005,  
Terry Christopher, Custom Signals. All Rights Reserved  
Track and Circuit layouts illustrated by Alex Mazure

Top Left

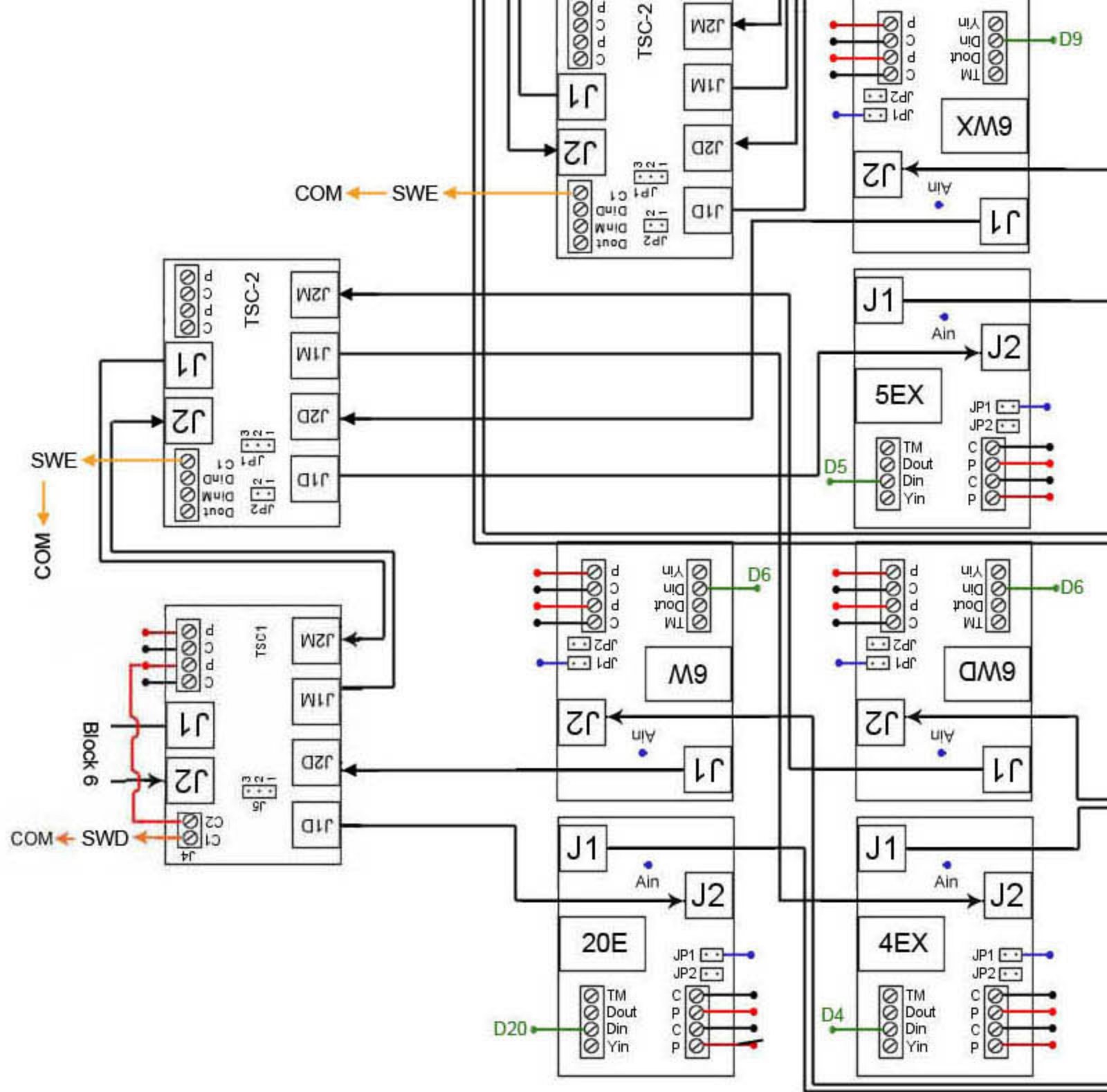




## C9 DC w/1 Intermediate Diverting Route and 1 Following Diverting Route

Copyright (c) 2002-2005,  
Terry Christopher, Custom Signals. All Rights Reserved  
Track and Circuit layouts illustrated by Alex Mazure

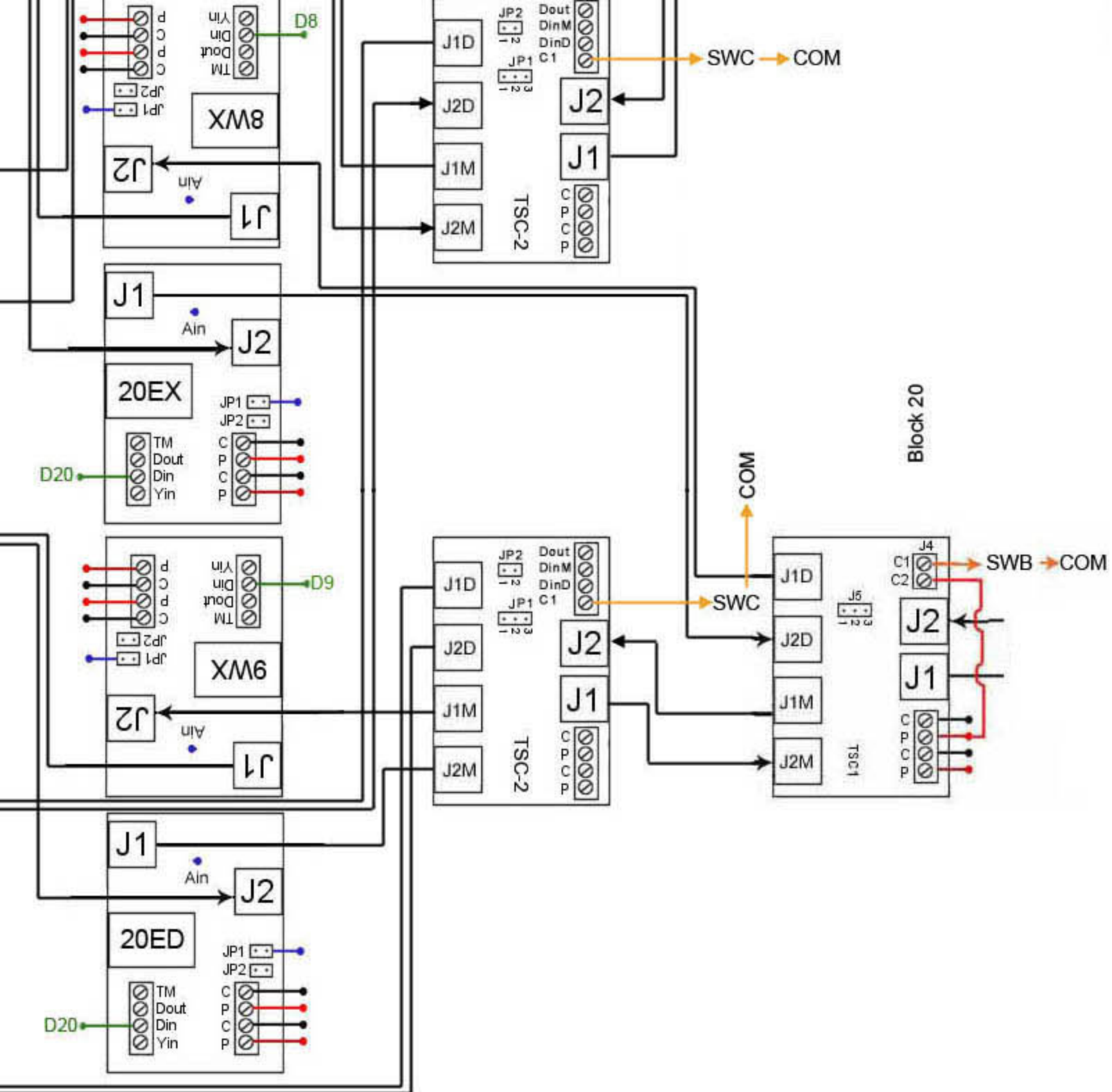
Top Right



**C9 DC w/1 Intermediate Diverting Route and  
1 Following Diverting Route**

Copyright (c) 2002-2005,  
Terry Christopher, Custom Signals. All Rights Reserved  
Track and Circuit layouts illustrated by Alex Mazure

**Bottom Left**



**C9 DC w/1 Intermediate Diverting Route and  
1 Following Diverting Route**

Copyright (c) 2002-2005,  
Terry Christopher, Custom Signals. All Rights Reserved  
Track and Circuit layouts illustrated by Alex Mazure

**Bottom Right**