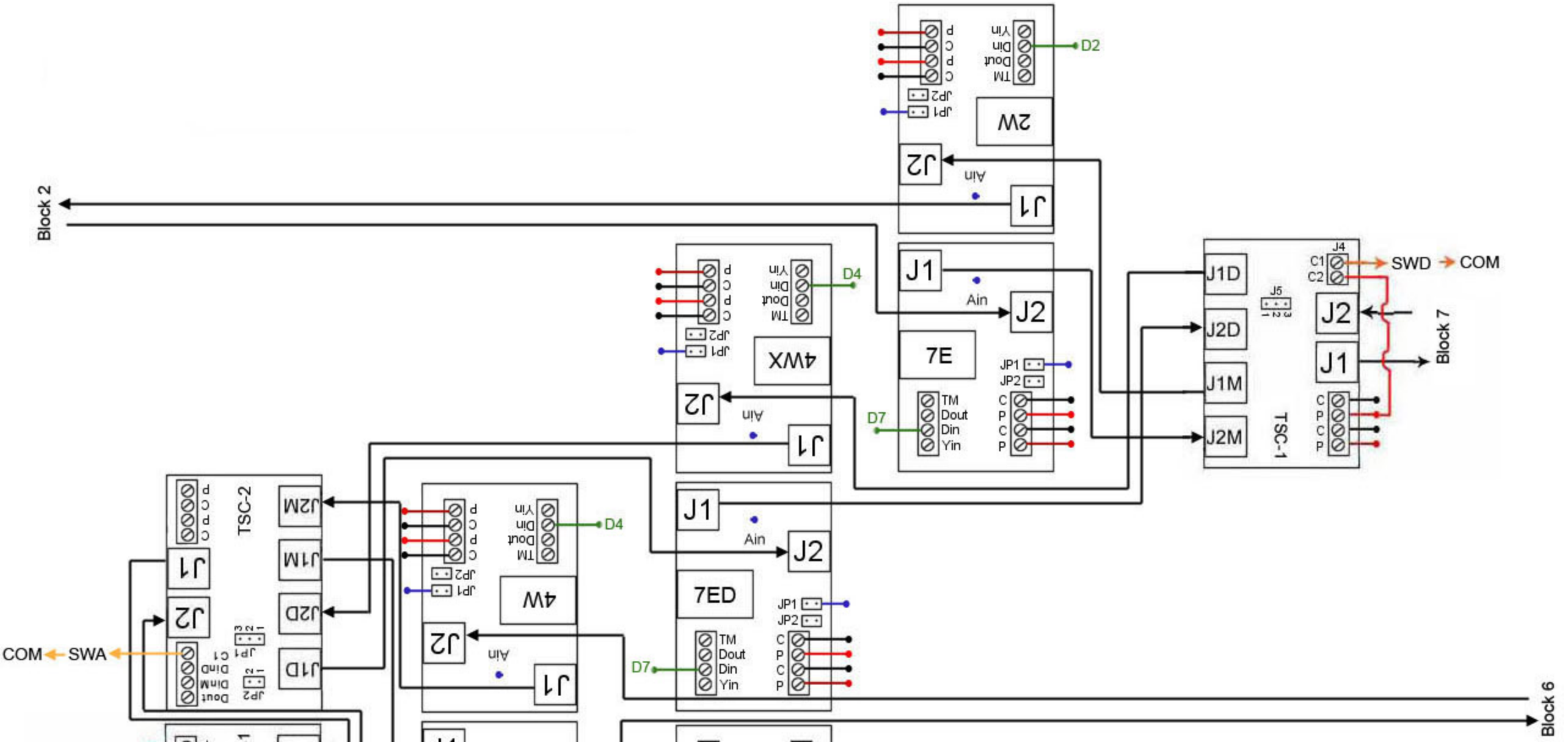


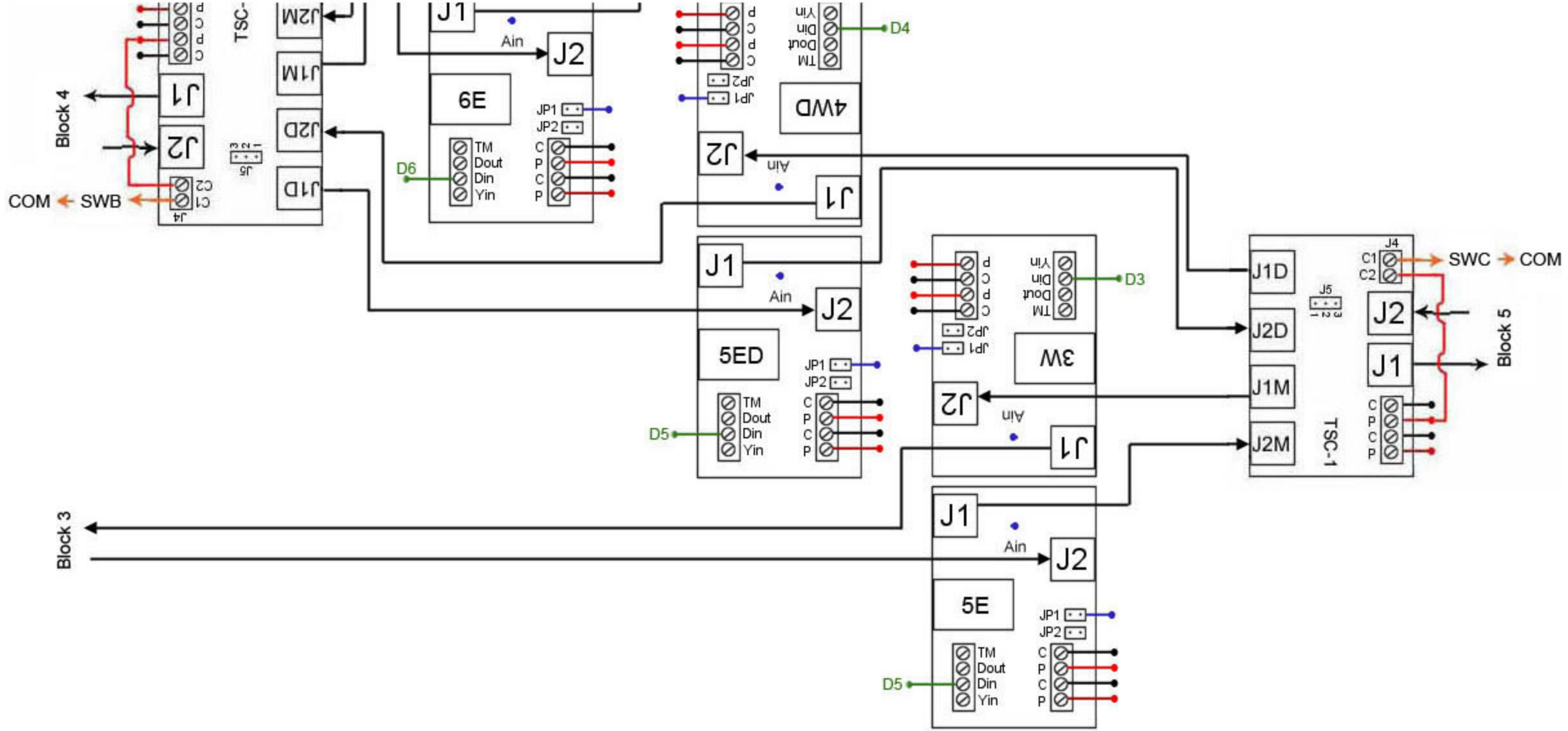
D1 TT w/Diverting Crossovers (R Then L)

Copyright (c) 2002-2005,

Terry Christopher, Custom Signals. All Rights Reserved

Track and Circuit layouts illustrated by Alex Mazure





D1 TT w/Diverting Crossovers (R Then L)
 Copyright (c) 2002-2005,
 Terry Christopher, Custom Signals. All Rights Reserved
 Track and Circuit layouts illustrated by Alex Mazure