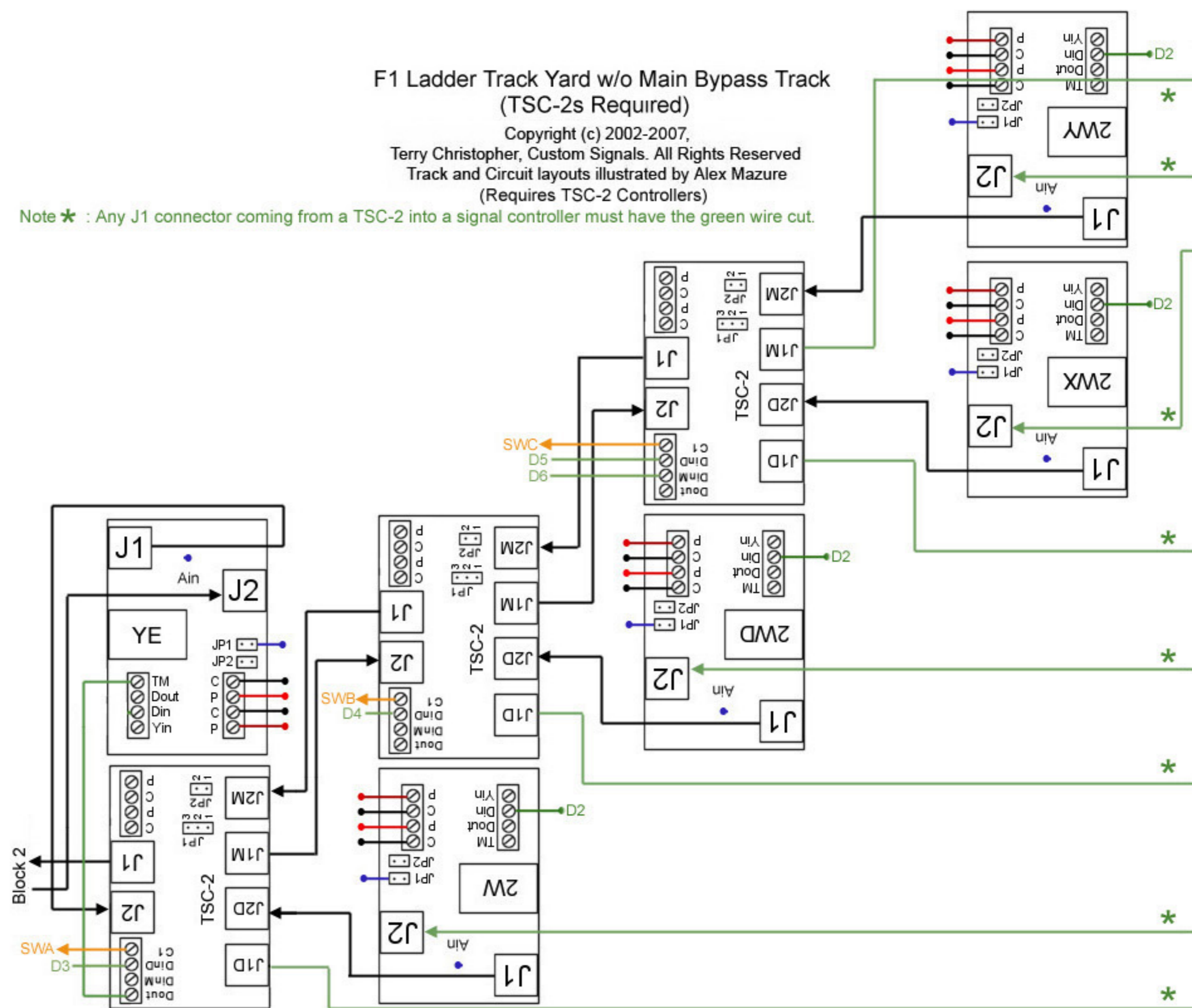


F1 Ladder Track Yard w/o Main Bypass Track (TSC-2s Required)

Copyright (c) 2002-2007,
Terry Christopher, Custom Signals. All Rights Reserved
Track and Circuit layouts illustrated by Alex Mazure
(Requires TSC-2 Controllers)

Note * : Any J1 connector coming from a TSC-2 into a signal controller must have the green wire cut.



F1 Ladder Track Yard w/o Main Bypass Track (TSC-2s Required)

Copyright (c) 2002-2007,
Terry Christopher, Custom Signals. All Rights Reserved
Track and Circuit layouts illustrated by Alex Mazure
(Requires TSC-2 Controllers)

Note ★ : Any J1 connector coming from a TSC-2 into a signal controller must have the green wire cut.

