

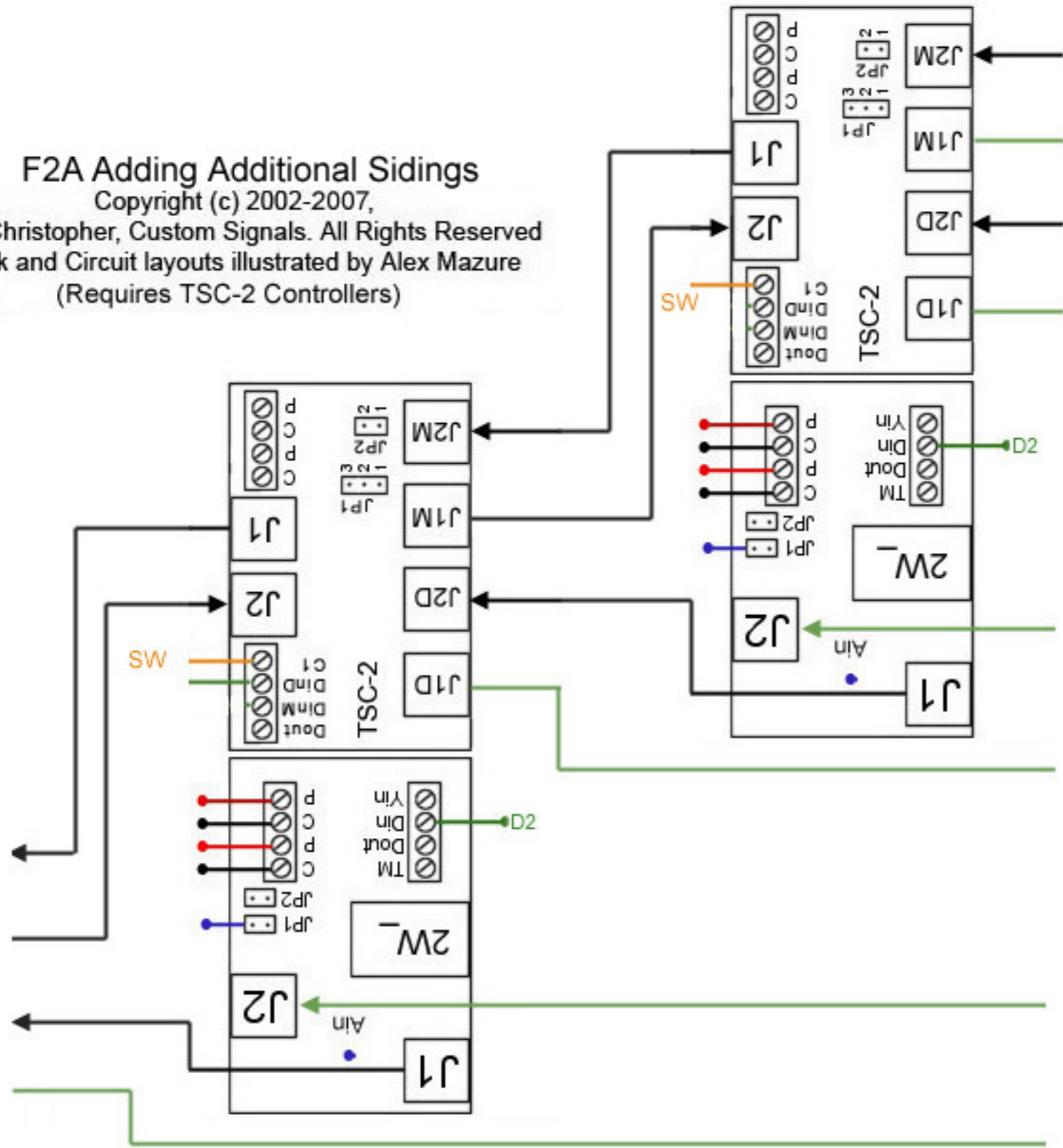
F2A Adding Additional Sidings

Copyright (c) 2002-2007,

Terry Christopher, Custom Signals. All Rights Reserved

Track and Circuit layouts illustrated by Alex Mazure

(Requires TSC-2 Controllers)



D2

